

LUXEMBRIGHT®

LED SYSTEMS

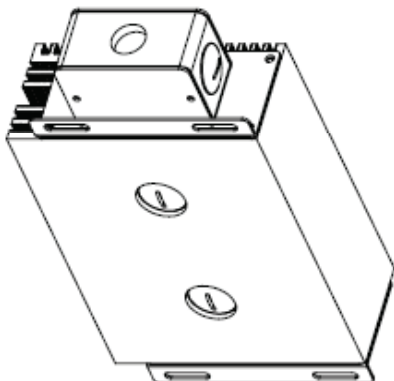
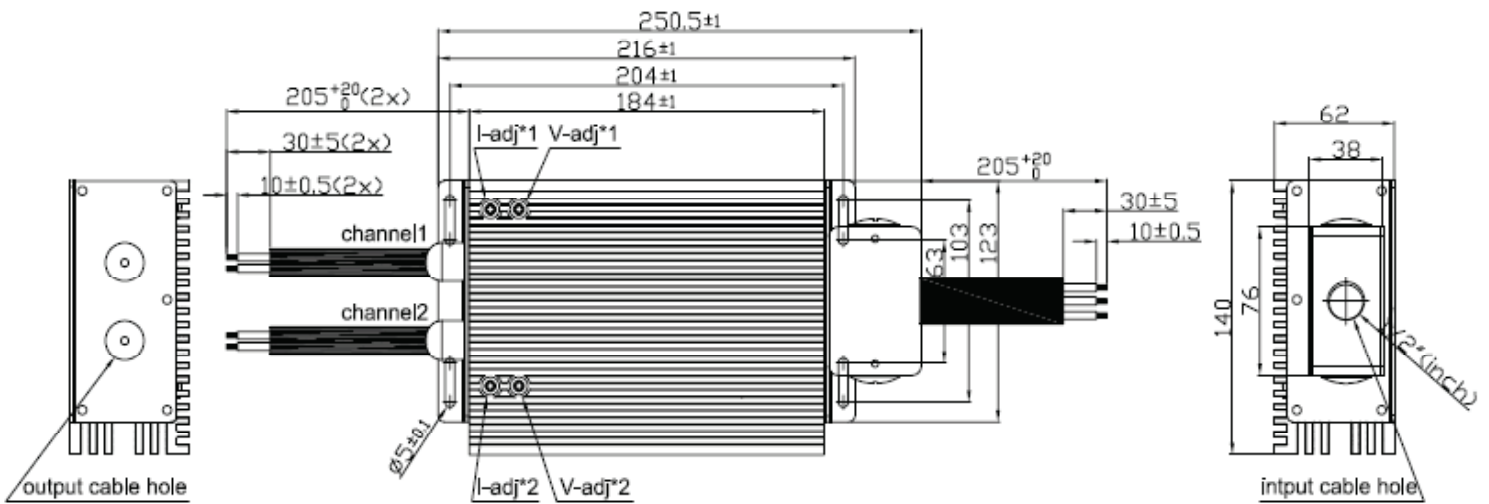


OVERVIEW AND FEATURES

This 120 watt power supply (UL1310/UL48 Class 2 certified), is compatible with all LuxemBright® LED products. This unit is UL recognized (E307120) in the US and Canada, CE certified, and has an IP65 rating for wet locations.

- IP65 rating
- 120 watt load (four 60 watt channels)
- 100-277 VAC input
- Output voltage and output current are adjustable
- Vibration resistant
- Superior performance in outdoor environments
- Active PFC for conserving power consumption
- Suitable in standard electrical junction boxes
- 5 year warranty
- UL1310/UL48 Class 2 certified
- Protections:
 - Short circuit
 - Over-current
 - Over-voltage
 - Over-temperature

OUTLINE DIMENSIONS



Notes: All dimensions in mm. (inch.)

OUTLINE DIMENSIONS

OUTPUT	Output Voltage Adjustment	-20% ~ +10%
	Leakage Current	0.25 mA @ 110 VAC, 5 mA @ 230 VAC
	Low Ripple & Noise Voltage	<1% V output
	Over Voltage Protection	<130% nominal voltage
	Short Circuit Protection	Shutdown & auto recovery
	OTP Protection	85° C ±5° @ case ambient
	Start-up Time	<2 seconds
INPUT	Voltage Range	90–277 VAC
	Frequency Range	47–63 Hz
	Power Factor	>0.95 at full load, 115 VAC
	Efficiency	85% typical @ full load, input 230 VAC
	Input Current	Maximum 2.5 amps @ 90 VAC / 60 Hz, full load
	Inrush Current	70 amps typical @ 230 V, 25° C cold start
EMC	Conducted Emissions	EN55022, FCC part 15 level B
	Radiated Emissions	EN55022, FCC part 15 level B
SAFETY	Safety Standards	UL8750 for UL1310 Class 2, UL60950-1, UL935, UL879
		TUV EN60950-1
		P65
		CE

*Specifications subject to change

PACKAGING

Four individual power supply units per case.

www.LuxemBright.com

©2013 CAO Lighting, Inc. Data subject to change. Copyright reserved by CAO Lighting. No part of this datasheet may be reproduced in any form without the permission from the publisher. For product information and a complete list of sales representatives, please go to our website.

For technical assistance please call:
US/Canada: 1+ (877) 236-4401 or 1+ (801) 256-9282



ISO 9001 CERTIFIED
TS 16949 CERTIFIED FACTORY