

LUXEMBRIGHT® LED SYSTEMS

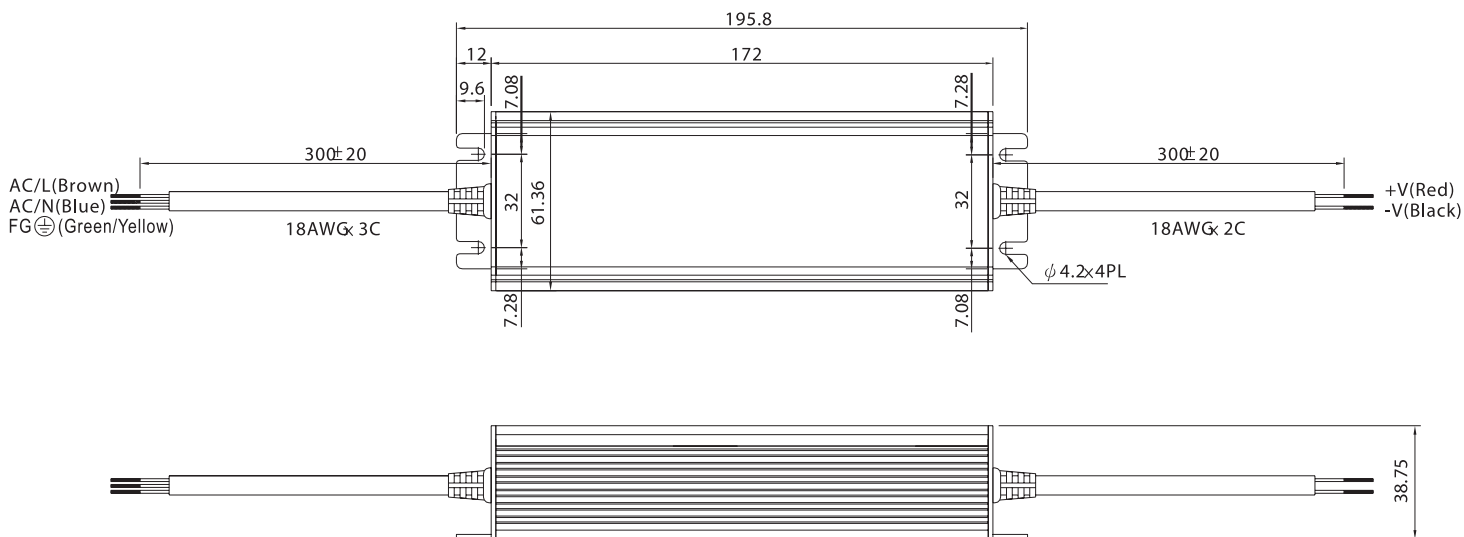


OVERVIEW AND FEATURES

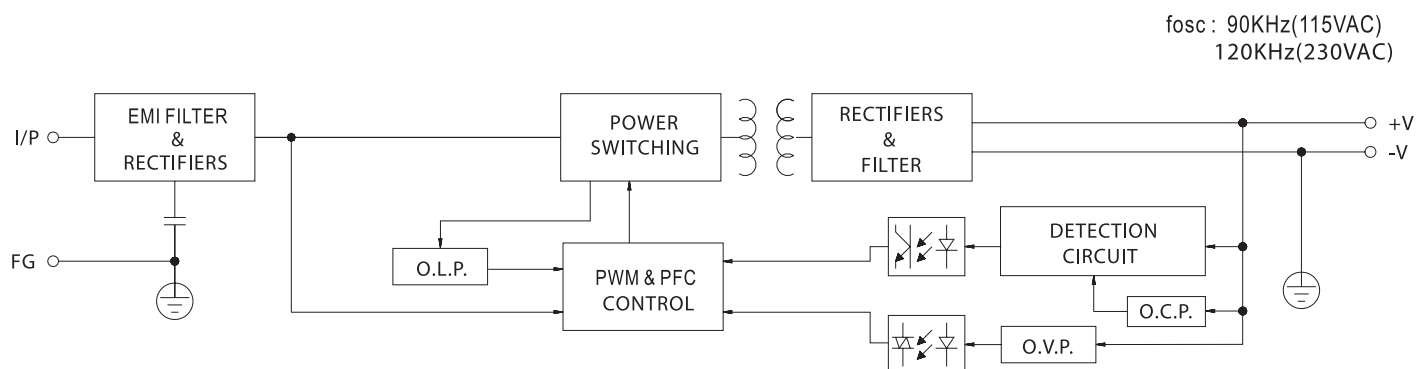
This 60 watt power supply (UL1310/UL48 Class 2 certified) is compatible with all LuxemBright® LED systems. This unit is UL recognized (E320521/E307078) in the US and Canada, CE certified, and has a IP67 rating for dry and damp locations.

- IP67 rating
- 60 Watt load
- 100–264, 277 VAC input
- Vibration resistant
- Superior performance in outdoor environments
- Active PFC for conserving power consumption
- Suitable in standard electrical junction boxes
- 3 year warranty
- UL1310/UL48 Class 2 certified
- Protections:
 - Short circuit
 - Overload
 - Over-voltage
 - Over-temperature

DIMENSIONS



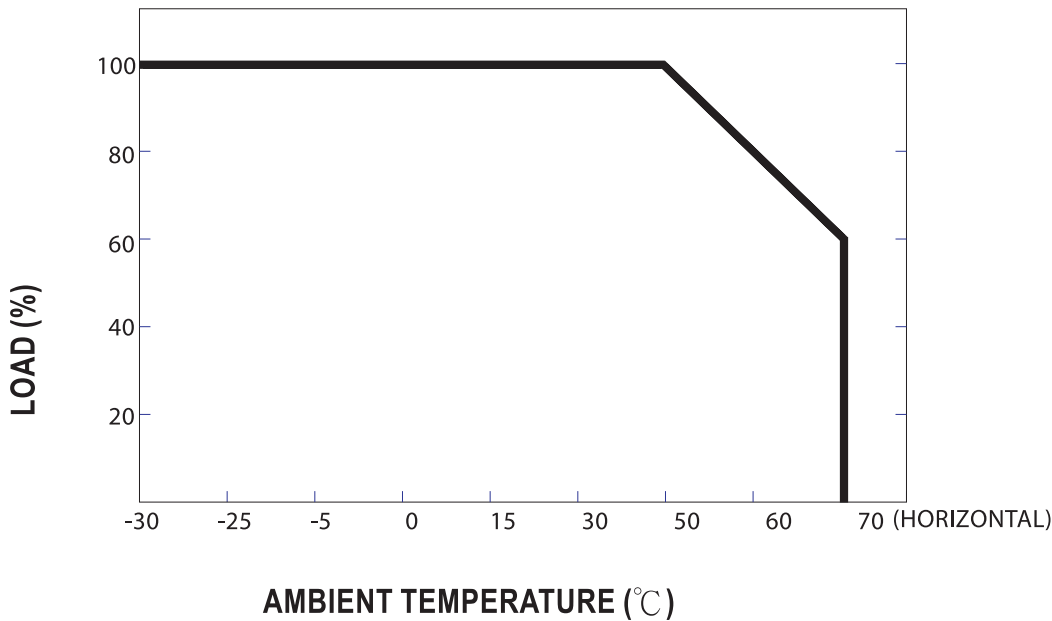
BLOCK DIAGRAM



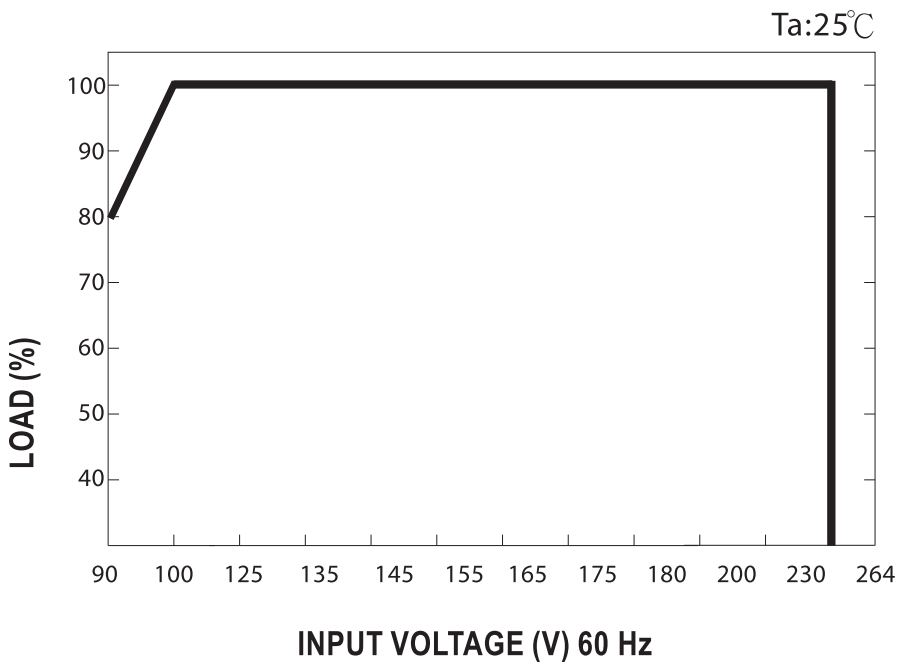
ELECTRICAL SPECIFICATIONS

OUTPUT	DC Voltage	12 Volts
	Constant Current Region	8.4 V to 12.0 V
	Rate Current	5 Amps
	Current Range	0.0 A to 5.0 A
	Rated Power	60 Watts
	Ripple Noise (Maximum)	2 V _{p-p}
	Voltage Adjustment Range	Fixed can be modified between 3% to 25% rated output current
	Voltage Tolerance	±10%
	Line Regulation	±4%
	Load Regulation	±10%
	Setup, Rise Time	1500 ms, 100 ns/230 VAC 300 ms, 100 ms/115 VAC at full load
INPUT	Voltage Range	90–264, 277 VAC
	Frequency Range	47 Hz to 63 Hz
	Power Factor	PF >0.9/230 VAC PF >0.98/115 VAC at full load
	Efficiency (Typical)	83%
	AC Current	0.8 A/115 VAC
	Inrush Current (Maximum)	40 A/230 VAC
	Leakage Current	0.5 mA/240 VAC
PROTECTION	Over Current	95% to 110%
	Over Voltage	13.8 V to 16.0 V
	Over Temperature	90°C ±10%
VIBRATION	Working Temperature	-30°C to 70°C
	Working Humidity	20% to 90% RH non-condensing
	Storage Temperature, Humidity	-40°C to +80°C, 10% to 95% RH
	Temperature Coefficient	±0.03%/ °C (0°C to 50°C)
	Vibration	10 Hz to 500 Hz, 2G 10 min/1 cycle
SAFETY & EMC	Safety Standards	UL1310 Class 2, TUV EN61347-2-13, CAN/CSA C22.2 No. 223M91, IP67
	Withstand Voltage	I/P-O/P: 100M Ohms/ 500 VDC/ 25°C/ 70% RH
	EMI Conduction & Radiation	Compliance to EN55015, EN55022 (CISPR22) Class B
	Harmonic Current	Compliance to EN61000-3-2 Class (C >50% load); EN61000-3-3
	EMS Immunity	Compliance to EN61000-4-2, 3, 4, 5, 6, 8, 11; ENV50204, EN550204, EN61547, light industry level, criteria A

DERATING CURVE



STATIC CHARACTERISTICS



RETURNS

Please contact the distributor where the products were purchased for any returns. CAO Lighting, Inc ("CAO Lighting") is not responsible for quality issues caused by improper maintenance and handling of our products.

www.CAOLighting.com

Data subject to change. Copyright reserved by CAO Lighting. No part of this datasheet may be reproduced in any form without the permission from the publisher.

For product information and a complete list of sales representatives, please go to our website.

For technical assistance please call:

U/Canada: 1+ (877) 236-4401 or 1+ (801) 256-9282



ISO 9001 CERTIFIED
TS 16949 CERTIFIED FACTORY



SELV EQUIVALENT LPS

SAL-DS0015 A.1