

# LUXEM BRIGHT®

## LED SYSTEMS

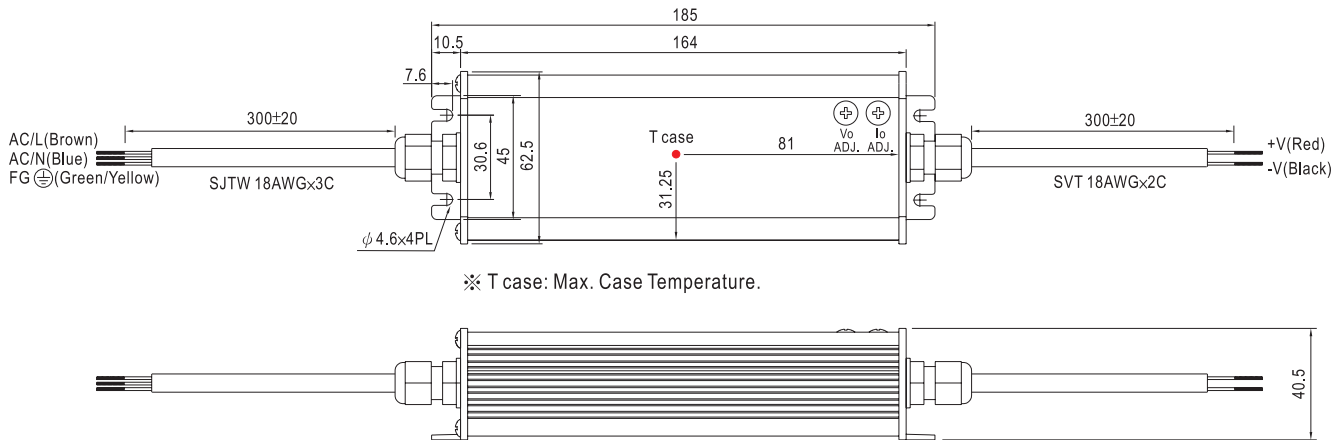


### OVERVIEW AND FEATURES

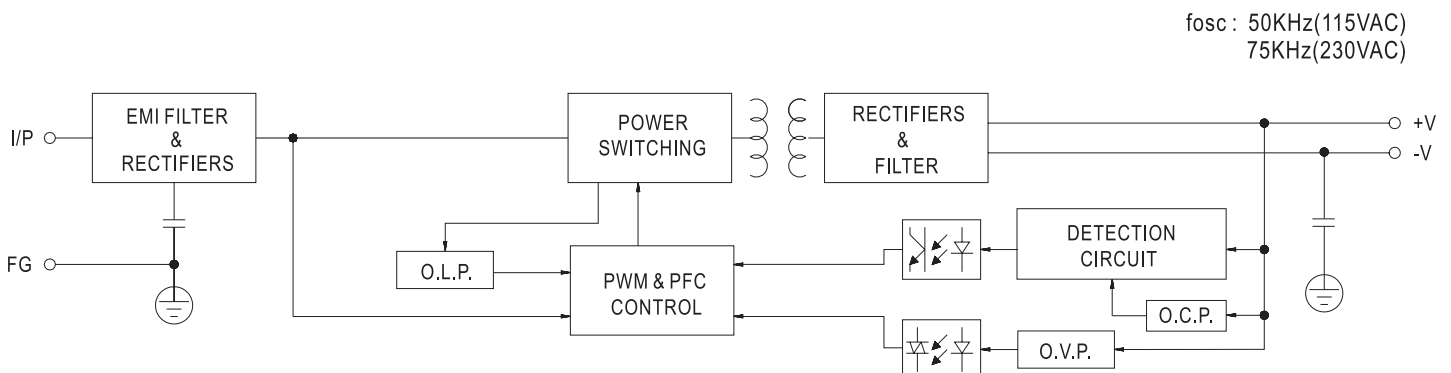
This 60 watt power supply (UL1310/UL48 Class 2 certified) is compatible with all LuxemBright® LED systems. This unit is UL recognized (E320521/E307078) in the US and Canada, CE certified, and has a IP66 rating for dry and damp locations.

- IP66 rating
- 60 Watt load
- 3 year warranty
- Universal AC input / Full range
- Output voltage and constant current level adjustable
- Built-in active PFC function
- Class 2 power unit
- Cooling by free air convection
- 100% full load burn-in test
- High reliability
- Suitable for LED lighting and moving sign applications
- Compliance to worldwide safety regulations for lighting
- Suitable for dry / damp / wet locations
- Protections:
  - Short circuit
  - Overload
  - Over-voltage
  - Over-temperature

### DIMENSIONS



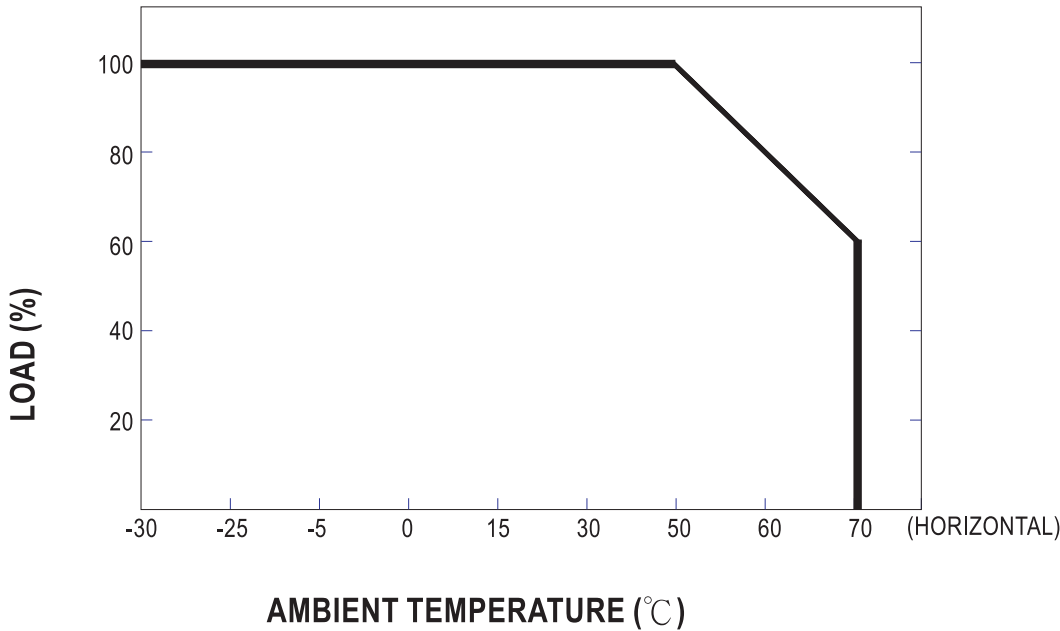
### BLOCK DIAGRAM



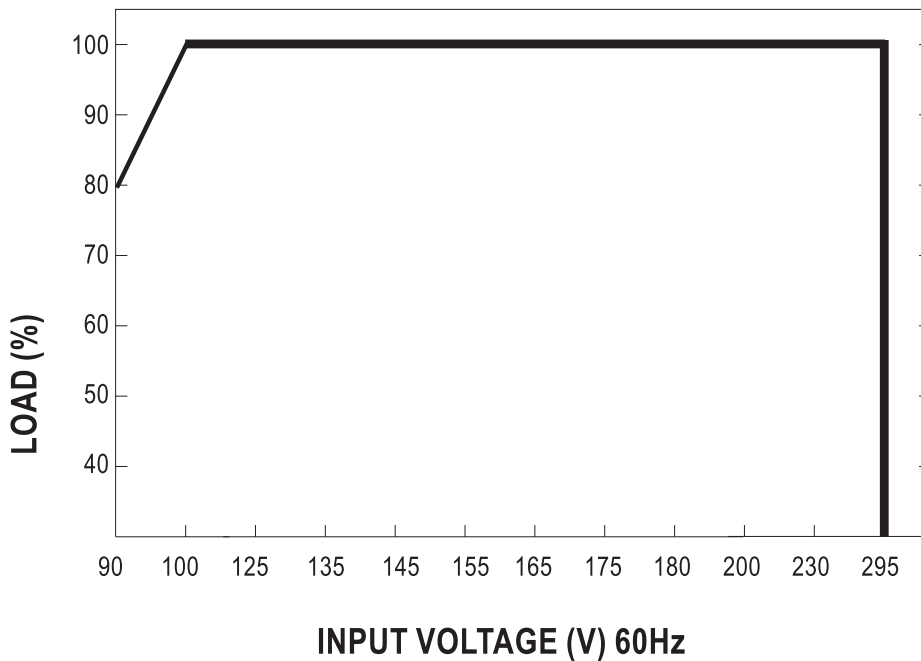
## ELECTRICAL SPECIFICATIONS

<b>OUTPUT</b>	DC Voltage	12 Volts
	Constant Current Region	9-12V
	Rate Current	5 Amps
	Current Range	0.0 A to 5.0 A
	Rated Power	60 Watts
	Ripple Noise (Maximum)	2 Vp-p
	Voltage Adjustment Range	10.8-13.5V
	Voltage Tolerance	±10%
	Line Regulation	±3%
	Load Regulation	±5%
	Setup, Rise Time	1400ms / 230VAC    2800ms / 115VAC at full load
<b>INPUT</b>	Voltage Range	90-295VAC    127-417VDC
	Frequency Range	47 Hz to 63 Hz
	Power Factor	PF>0.97/115VAC, PF>0.95/230VAC, PF>0.9/277VAC at full load
	Efficiency (Typical)	86%
	AC Current	0.8A/115VAC    0.4A/230VAC    0.3A/277VAC
	Inrush Current (Maximum)	45A/230VAC
	Leakage Current	<0.75mA / 240VAC
<b>PROTECTION</b>	Over Current	95% to 110%
	Over Voltage	14.5 V to 17 V
	Over Temperature	85°C±10°C
<b>VIBRATION</b>	Working Temperature	-30°C to 70°C
	Working Humidity	20% to 95% RH non-condensing
	Storage Temperature, Humidity	-40°C to +80°C, 10% to 95% RH
	Temperature Coefficient	±0.03%/ °C (0°C to 50°C)
	Vibration	10 to 500Hz, 5G 12min./1cycle
<b>SAFETY &amp; EMC</b>	Safety Standards	UL879, UL8750, CSA C22.2 No. 207-M89, CSA C22.2 No. 250.0-08, TUV EN61347-1, EN61347-2-13, IP66, J61347-1, J61347-2-13 approved
	Withstand Voltage	I/P-O/P:3.75KVAC    I/P-FG:1.88KVAC    O/P-FG:0.5KVAC
	EMI Conduction & Radiation	Compliance to EN55015, EN61000-3-2 Class C (i<sup>2</sup>75% load) ; EN61000-3-3
	Harmonic Current	
	EMS Immunity	Compliance to EN61000-4-2,3,4,5,6,8,11, EN55024, EN61547, light industry level (surge 4KV), criteria B

## DERATING CURVE



## STATIC CHARACTERISTICS



## RETURNS

Please contact the distributor where the products were purchased for any returns. CAO Lighting, Inc ("CAO Lighting") is not responsible for quality issues caused by improper maintenance and handling of our products.

[www.CAOLighting.com](http://www.CAOLighting.com)

Data subject to change. Copyright reserved by CAO Lighting. No part of this datasheet may be reproduced in any form without the permission from the publisher.

For product information and a complete list of sales representatives, please go to our website.

For technical assistance please call:

U/Canada: 1+ (877) 236-4401 or 1+ (801) 256-9282

 **CAO LIGHTING, INC.**  
LED through Innovation™

 **UL US**  
E183223

ISO 9001 CERTIFIED  
TS 16949 CERTIFIED FACTORY



SELV EQUIVALENT LPS

SAL-DS0015 A.1