



The Dynasty® Z S14 LED lamp is an extension of the Dynasty S14 series with improved performance. Designed for a 120 or 240 VAC power system to replace traditional incandescent S14's without compromising the look and efficacy. They can be installed into any standard E26 (medium) socket. The lamp has a rugged brass base making it corrosion resistant for outdoor applications. It is designed with CAO Lighting's patented Dynasty High Flux LED, which is energy efficient, vibration resistant, and features a multi-directional beam pattern making it ideal for general lighting. This lamp is perfectly suited for outdoor signage, hotels, theaters, restaurants, and theme park applications. For more Dynasty based lighting products, Look for the Butterfly!

APPLICATIONS

- Flash/Chaser signs
- Architectural accent & border
- Time/Temperature signs
- Scoreboards
- Theater marquees
- Amusement parks
- Arcade machines

BENEFITS

- Up to 90% energy cost savings
- 4 year warranty
- Low carbon footprint
- Reduces maintenance costs
- ETL listed (4006361)
- Environmentally safe, RoHS compliant

FEATURES

- Replaces any incandescent S14 lamp
- Vibration resistant
- Equivalent to 25 watt incandescent lamp
- 120/240 VAC input
- Instant on/off flash/chaser capability
- Unique Butterfly-Beam™ (360° horizontal and 275° vertical)



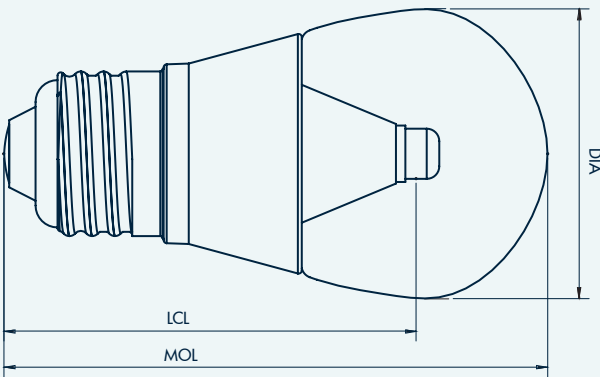
DYNASTY® S14



Product #	Glass	Color	CCT/ λ d	Watts	Volts	Lumens	CRI	Base	Amps	Warranty
31025-27	Clear	White	2700 K	2.6	100-240 VAC, 50-60 Hz	140	>80	E26	0.050	4 Years
31026-27	Frosted	White	2700 K	2.6	100-240 VAC, 50-60 Hz	130	>80	E26	0.050	4 Years
31027-R	Clear	Red	625 nm	1.3	100-240 VAC, 50-60 Hz	25	N/A	E26	0.036	4 Years
31027-A	Clear	Amber	592 nm	1.3	100-240 VAC, 50-60 Hz	30	N/A	E26	0.036	4 Years
31027-B	Clear	Blue	460 nm	1.3	100-240 VAC, 50-60 Hz	8	N/A	E26	0.036	4 Years
31027-G	Clear	Green	525 nm	1.3	100-240 VAC, 50-60 Hz	40	N/A	E26	0.036	4 Years
31027-E	Clear	Orange	605 nm	1.3	100-240 VAC, 50-60 Hz	30	N/A	E26	0.036	4 Years

Additional color temperatures available by special order. Please call manufacturer for details.

MECHANICAL DIMENSIONS



Dimensions	Description	Inches	mm
LCL	Light Center Length	2.50	63.50
DIA	Maximum Diameter	1.75	44.40
MOL	Maximum Overall Length	3.50	88.90

Please call or visit our website to find a local distributor



4628 West Skyhawk Drive, West Jordan, UT 84084-4501
 Phone 877.236.4403 Fax 801.256.9287
www.DynastyLEDs.com



ISO 9001 CERTIFIED
 Patent #6,465,961, #6,634,770, #6,746,885, #7,728,345 and patents pending
 ©2013 CAO Lighting, Inc. SAL-FL0054 10.12.01