

Data Sheet

Dynasty® LED High Bay Light

HBL series



Product Description

Dynasty® HBL series LED High Bay Lights are designed specifically as an energy saving alternative for traditional High Pressure Sodium (HID) ceiling mount luminaires. By offering highly efficient and optical superior lighting, combined with the extra long life of LEDs, they can significantly reduce energy and maintenance costs while providing uniform light distribution and increased light level.

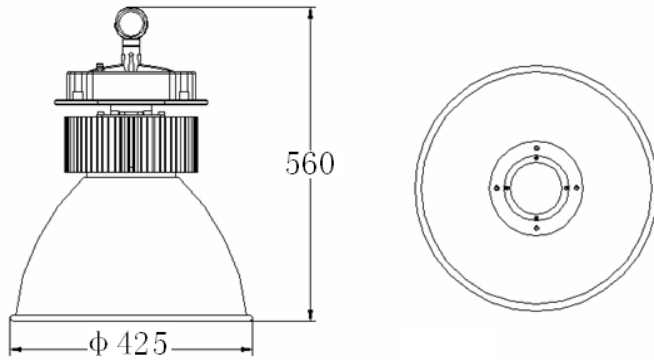
Designed to blend seamlessly into existing HID installations by replicating the form of traditional dome shape luminaires, the Dynasty® HBL series LED High Bay Light has all of the high performance features that utilities have come to expect for all ceiling mount lighting fixtures. Available in 150 watt and 3000K and 4500K configurations, these fixture operate on a 120/240/277 VAC, 50 or 60Hz universal power input. Each Dynasty® LED High Bay Light comes with a 5 year warranty. For more Dynasty® lighting products, Look for the Butterfly!

Features

- Energy efficient
- 150 Watt power consumption
- Precise constant current driver
- No warm up, flicker-free operation
- Fire retardant materials
- Premium aluminum alloy heat sink for better heat dissipation
- Sleek exterior design
- Rotatable hanging ring for ceiling mount
- Low carbon footprint
- CCT tolerances comply with ANSI C78.377-2008 standard



Mechanical Dimensions

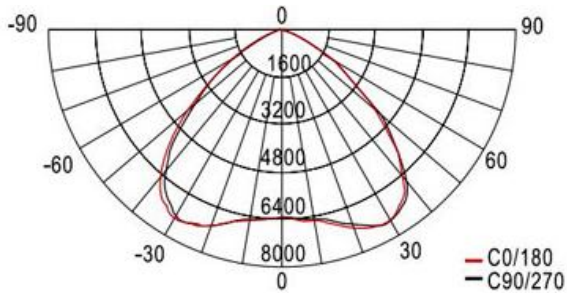


Drawing A

Optical / Electrical Specifications

Product Number	Input Voltage (VAC)	Watt	Nominal CCT	Lumen Output	CRI	Power Factor	Efficacy (LPW)	LED Quantity	Lamp Weight (pound)	Hanging Ring Diameter (inch)	Mechanical Drawing	Beam Pattern	Typical Installation (FT)
35007-30	120/240/277	150	3000K	12500-14500	>75	>0.95	80	1 COB	14.1	1-1/2	A	B	Ceiling Mount
35007-45	120/240/277	150	4500K	12500-14500	>75	>0.95	80	1 COB	14.1	1-1/2	A	B	Ceiling Mount

Light Distribution Curve



Drawing B